

DIMENSION STEERER EXTENDER INSTRUCTIONS

Thank you for purchasing a Dimension Steerer Extender!

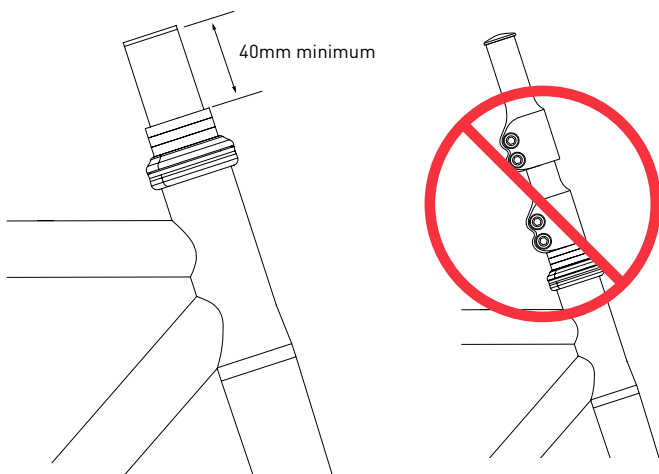
The Dimension Steerer Extender was created with comfort, economy, and durability in mind.

⚠ WARNING: CYCLING CAN BE DANGEROUS. BICYCLE PRODUCTS SHOULD BE INSTALLED AND SERVICED BY A PROFESSIONAL MECHANIC. NEVER MODIFY YOUR BICYCLE OR ACCESSORIES. READ AND FOLLOW ALL PRODUCT INSTRUCTIONS AND WARNINGS INCLUDING INFORMATION ON THE MANUFACTURER'S WEBSITE. INSPECT YOUR BICYCLE BEFORE EVERY RIDE. ALWAYS WEAR A HELMET.

For additional product and safety information go to:
www.dimensionbikeproducts.com/safety

COMPATIBILITY & INTENDED USE

Designed for use with 1 1/8" threadless forks ONLY. Fork must have 40mm of the fork's steerer tube above the headset to attach the Dimension Steerer Extender.



- ⚠ WARNING:** Never use with less than 40mm of threadless steerer tube.
- ⚠ WARNING:** Do not stack multiple steerer extenders on top of each other! No more than one steerer extender per bike.
- ⚠ WARNING:** Do not use with threaded steerers or stems.
- ⚠ WARNING:** Improper installation of bolts may lead to product failure, causing serious injury. Do not exceed specified torque values. Periodically inspect bolts and retighten if required.
- ⚠ WARNING:** Do not use with carbon forks with carbon steerer tubes. The additional length of the Dimension Steerer Extender can put excessive stress on the tube and may lead to product failure which could cause serious injury.



Dimension Steerer Extenders are intended for use under the guidelines of ASTM Condition 1.

This is a set of conditions for the operation of a bicycle on a regular paved surface where the tires are intended to maintain ground contact.

REQUIRED TOOLS

- 5mm hex wrench
- 6mm hex wrench
- Torque wrench

INSTALLATION

1. Loosen the bolts on the Steerer Extender.
2. Install the Steerer Extender on top of the steerer.
3. Fasten the long M6 bolt down into the star nut using a 5mm hex wrench.
4. Pre-load the headset per the manufacturer's instructions.
5. Tighten down the Steerer Extender's side bolts using a 6mm hex wrench. Torque to 8-10Nm.
6. Install the stem to the Steerer Extender at the desired height, following the stem manufacturer's instructions. If no specification is given, torque to 5Nm.
7. Install the dust cap using a 5mm hex wrench.

ONGOING MAINTENANCE

Periodically check to make sure steerer extender bolts are tightened to the proper torque specification.

LIMITED 2-YEAR WARRANTY

Dimension warrants this new Dimension product against defects in materials and workmanship for two (2) years from the original date of retail purchase by the consumer. This limited warranty is expressly limited to the repair or replacement of the original product, at the option of Dimension, and is the sole remedy of the warranty. This limited warranty applies only to the original purchaser of the Dimension product and is not transferable.

In no event shall Dimension be liable for any loss, inconvenience or damage, whether direct, incidental or consequential or otherwise resulting from breach of any express or implied warranty or condition of merchantability, fitness for a particular purpose, or otherwise with respect to this product except as set forth herein. This warranty gives the consumer specific legal rights, and those rights and other rights may vary from state to state.

This warranty does not cover the following:

- Damage due to improper assembly or follow-up maintenance or lack of skill, competence or experience of the end user
- Products that have been modified, neglected, used in competition or for commercial purposes, misused or abused, involved in accidents or anything other than normal use
- Damage or deterioration to the surface finish, aesthetics or appearance of the Dimension product
- Normal wear and tear
- Labor required to remove and/or refit and re-adjust the product within the bicycle assembly
- Installation of components, parts, or accessories not originally intended for or compatible with Dimension products

TO THE EXTENT NOT PROHIBITED BY LAW, THESE WARRANTIES ARE EXCLUSIVE AND THERE ARE NO OTHER EXPRESS OR IMPLIED WARRANTIES OR CONDITIONS INCLUDING WARRANTIES OR CONDITIONS OF MERCHANTABILITY AND FITNESS FOR A PARTICULAR PURPOSE.

6400 WEST 105TH STREET
BLOOMINGTON, MN 55438

info@dimensionbikeproducts.com

1-855-883-6563

20465 9/16



dimension
BICYCLE COMPONENTS